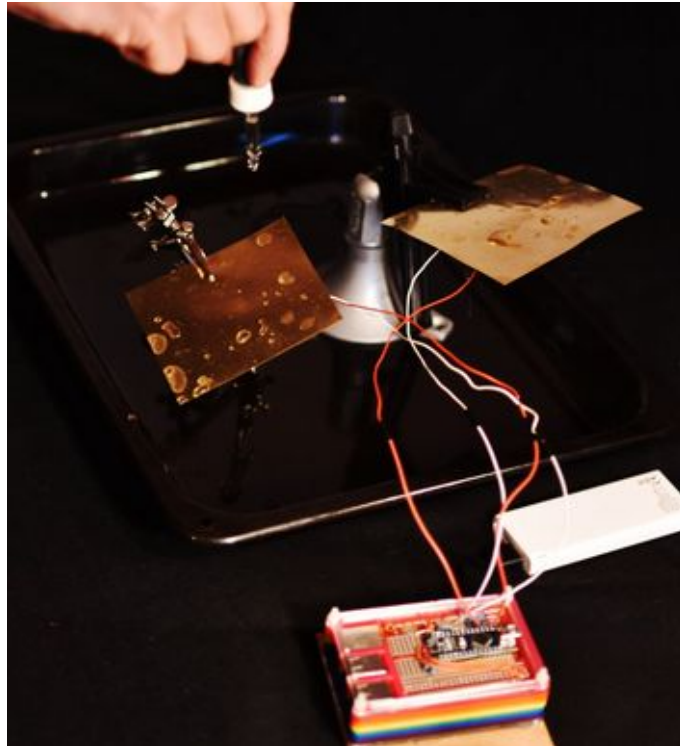
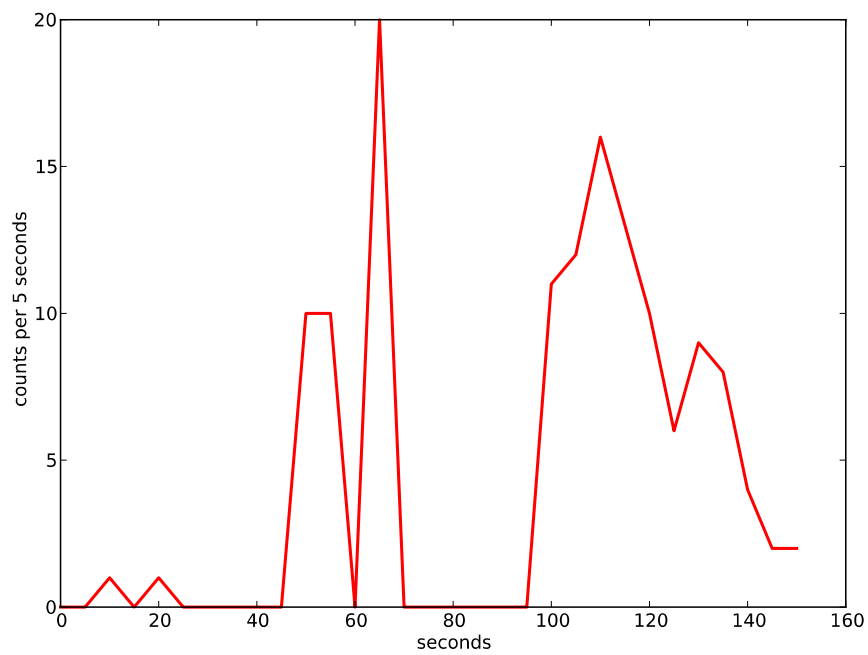


Twilight-Measurements Components

measures impulses, used for the melting ice of my twilight installations (see list of at the end of this document)



Setup

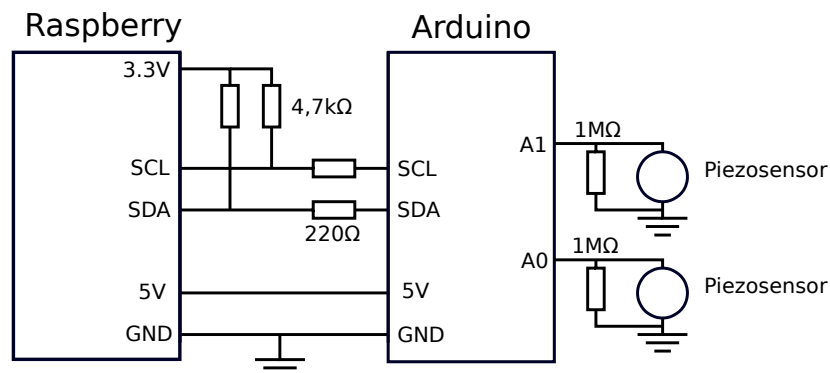


Graphical Output

List of Components

Component	Amount	Value / Model
sheet	Min 1-4	metal
Arduino	1	z.B. nano
Raspberry	1	3
Platine	1	Prototype-Head
Piezo	min. 1 - 4	
Resistors	2	4,7 kOhm
	2	220 Ohm
Pro Piezo	1	1 mOhm
cables		

Circuit Diagram



draft: copyright Sabine Wolf

Installation:

Python 2.7.3 with matplotlib, pyplot, numpy

Get started with commands:

```
python fetch_value.py
```

```
python plot.py logfile_datenX.txt 300
```

(X: actual number of logfile written by fetch_value.py)

List of Twilight mixed media installations

Nation Of Godwana Festival, 2018,

<https://www.youtube.com/watch?v=yd8juvhld8>

Camp Tippsy, 2017

Group Global 3000, 2017,
<https://groupglobal3000.de/de/licht/>

Donau Ecke Ganghofer, Berlin , 2017/2018,
<https://donaugang.wordpress.com/2018/01/29/twilight-sylopp/>

"Twilight III" Ice Installation @cbase, 2016
<https://vimeo.com/176186171>

"Twilight I" Ice Installation at Gallery "Odra Zoo", Stettin (Polen), 2012
https://youtu.be/EwxAlOOpiBM?list=UU-pO_7BNjYUTyeC7EL3ntpw

"Polar" - Ice, Dance Sound Performance, 2009
<http://peggy-sylopp.net/kunst/index.htm/PmWiki/POLAR>

copyright 2019 Peggy Sylopp